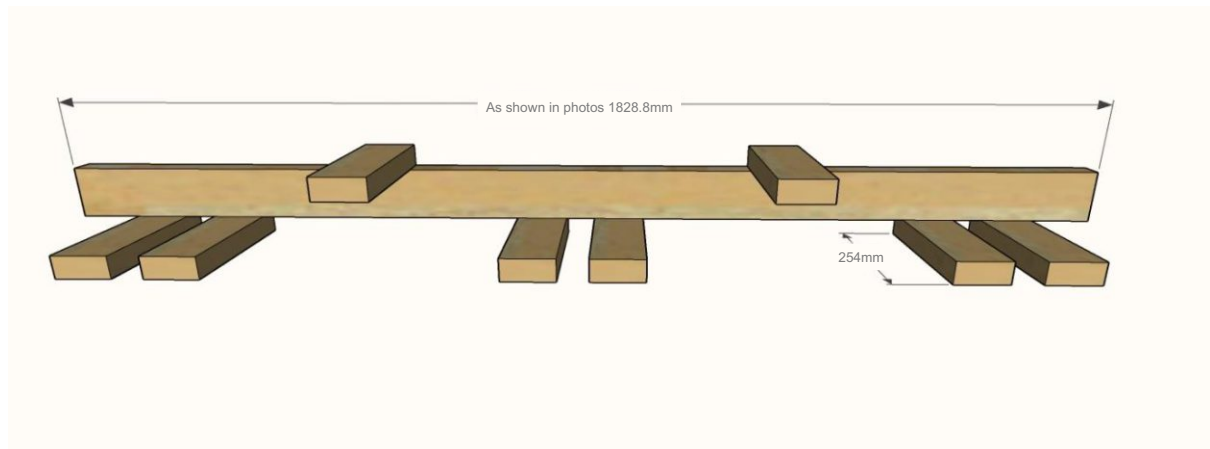




DIY
GARDEN TOOL
storage



This garden tool organizer can be built to any length. As shown in photos, 1828.8mm long

Preparation

SHOPPING LIST

2 - 2x4 @ 2438.4mm long

20 - 63.5mm to 76.2mm long self tapping screws ([like these](#)) look for the ones, make sure they are exterior rated if using outside

CUT LIST

Can be made to any dimensions. Cut list as shown in photographs and video

- 1 - 2x4 @ 1828.8mm
- 8 - 2x4 @ 254mm

TOOLS



STEP 1



If you are customizing -

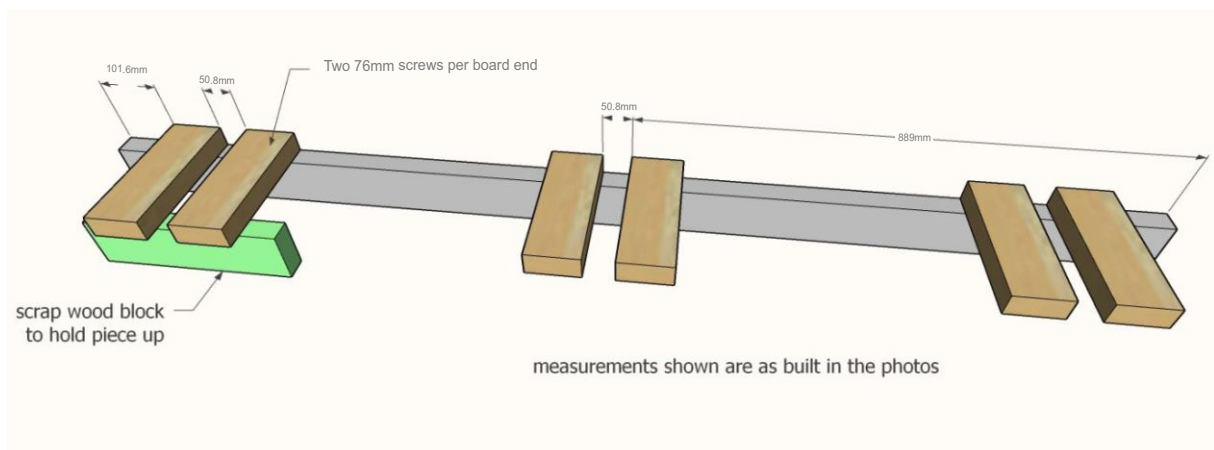
Measure your space.

Cut a 2x4 to fit the desired length of the garden tool rack.

Lay on a flat surface and begin placing your tools over the cut 2x4, organizing tools without D ring handles upside down at the top, and tools with a D ring handle hanging below.

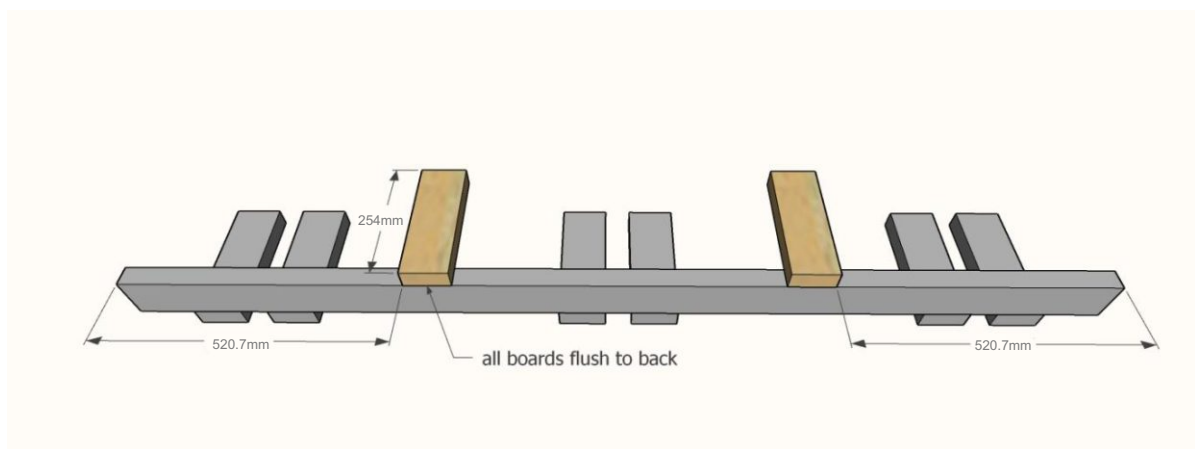
Lay out the position of the 254mm blocks and mark.

STEP 2



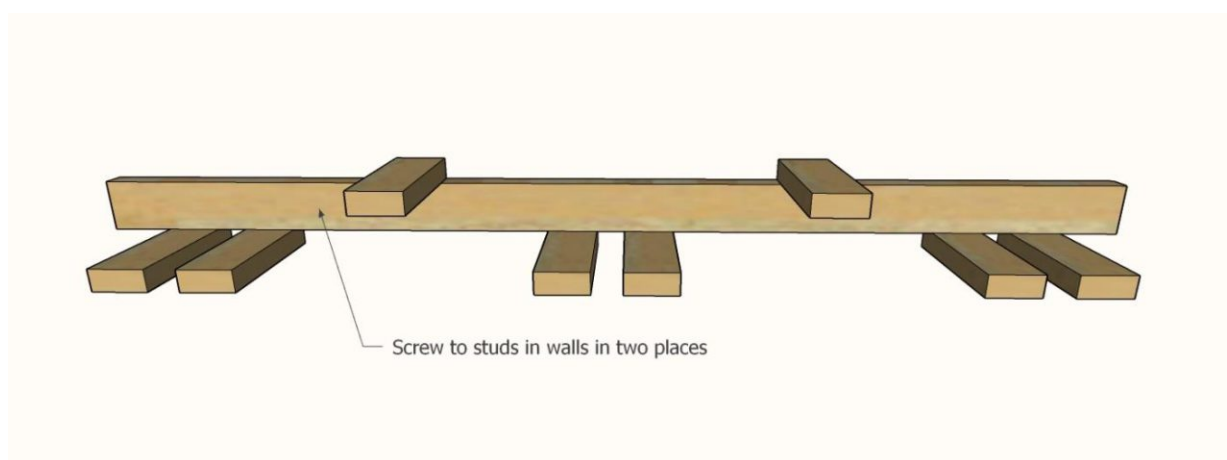
Attach the upper hanger blocks to the top edge of the 2x4 with screws, two per joint. Leave a 50.8mm gap in between for sliding tools in.

STEP 3



Add the bottom row of hanger blocks.

STEP 4



Locate two studs in the wall and hang to the studs, high enough so the longest tool does not hit the ground (I hung ours at 1828.8mm). You need two screws per stud, minimum four screws.